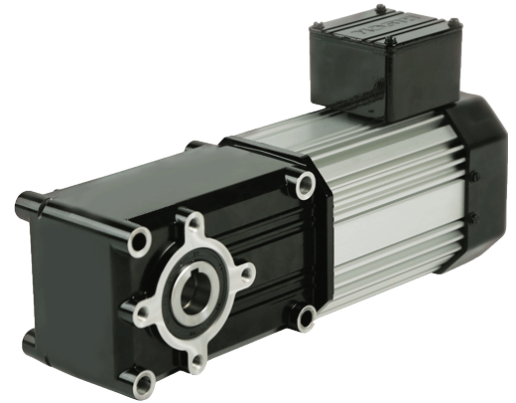


## Maximum Efficiency Right-angle Gearmotors

### 730 115/230V Single Phase Dual Voltage/Dual Frequency (3-stage)

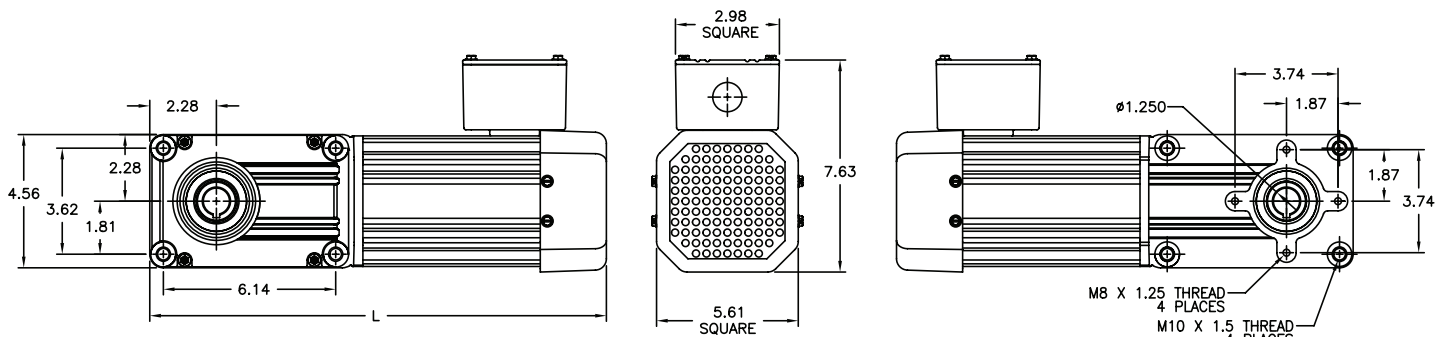
The heavy duty PowerSTAR® 730 Series 3-stage 115/230V dual voltage/dual frequency single phase right-angle gearmotor offers up to 1730 in-lbs of torque running continuously for reliable and energy efficient operation.



#### 730 Series 115/230V 1PH Dual Voltage/Dual Frequency Ratios 80:1 to 240:1 -TEFC\*

Part Number	Speed (RPM)		Rated Torque (in-lbs)		Input HP	Gear Ratio	OHL (lbs)	Rated Current 115V (Amps)		Rated Current 230V (Amps)	
	50Hz	60Hz	50Hz	60Hz				50Hz	60Hz	50Hz	60Hz
026-730E0080	18	21	766	766	1/3	80	820	3.40	5.03	1.75	2.5
026-730E0100	14	17	725	725	1/4	100	910	3.01	2.90	1.5	1.5
026-730E0120	12	14	871	871	1/4	120	965	3.01	2.90	1.5	1.5
026-730E0150	9.2	11	1090	1090	1/4	150	1010	3.01	2.90	1.5	1.5
026-730E0180	7.8	9.3	1310	1310	1/4	180	1050	3.01	2.90	1.5	1.5
026-730E0240	5.8	7.0	1730	1730	1/4	240	1120	3.01	2.90	1.5	1.5

\*Capacitors required - offered separately. See accessories on page 17



L = Gearmotor length:  
 1/4 HP: 14.34  
 1/3 HP: 16.09

